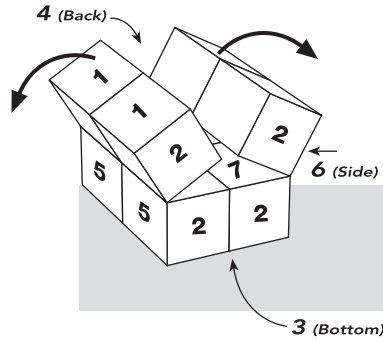


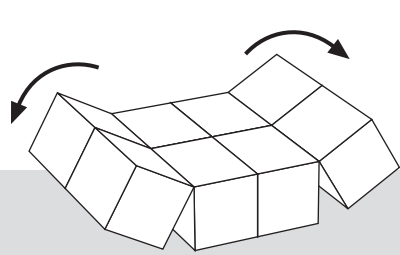
Magic Cube 012 (Special)

START FROM PANEL 1

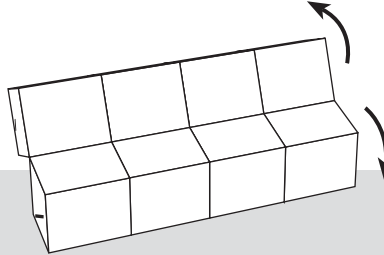
STEP 1 6 Exterior



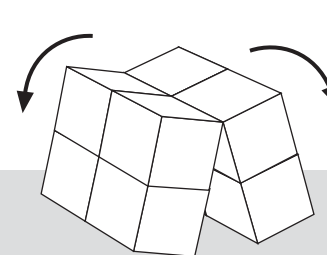
STEP 2 • Open wide Panel 1



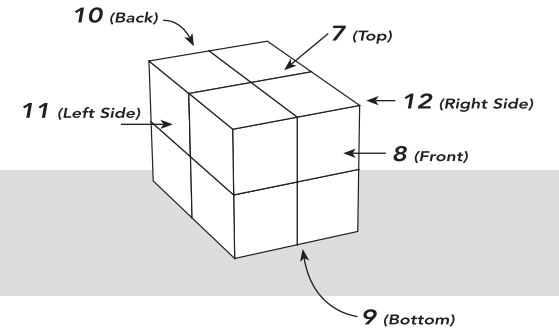
STEP 3 • Open horizontally



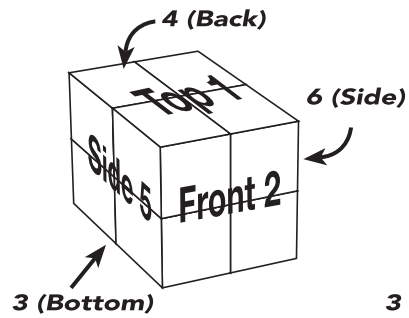
STEP 4 • Open Vertically & Rotate 90°



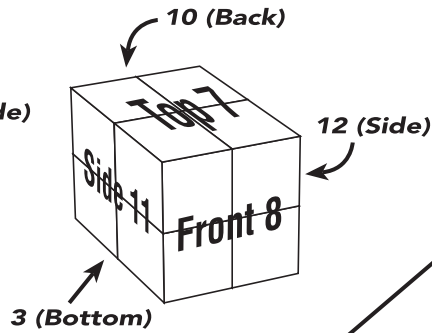
STEP 5 6 Interior



6 Exterior Faces of Magic Cube



6 Interior Faces of Magic Cube



Magic Cube 012

PANEL 10	PANEL 10	PANEL 7	PANEL 7	PANEL 4	PANEL 4	PANEL 1	PANEL 1
PANEL 10	PANEL 10	PANEL 7	PANEL 7	PANEL 4	PANEL 4	PANEL 1	PANEL 1
PANEL 11	PANEL 11	PANEL 8	PANEL 8	PANEL 5	PANEL 5	PANEL 2	PANEL 2
PANEL 11	PANEL 11	PANEL 8	PANEL 8	PANEL 5	PANEL 5	PANEL 2	PANEL 2
PANEL 12	PANEL 12	PANEL 9	PANEL 9	PANEL 6	PANEL 6	PANEL 3	PANEL 3
PANEL 12	PANEL 12	PANEL 9	PANEL 9	PANEL 6	PANEL 6	PANEL 3	PANEL 3

The Manipulation of

Magic Cube

